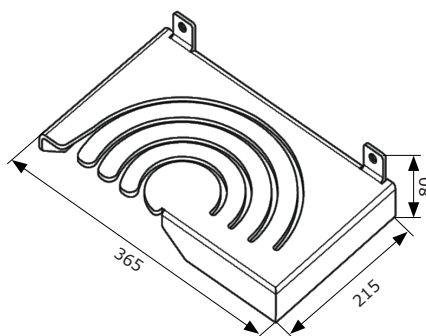


# Wall System AW417

MAVIG



AW417 with stored gonadal aprons

**AW417** Wall system for 4 MAVIG gonadal aprons from the series RP643

## Wall System AW417

### The correct way to store your gonadal aprons

As the aprons are clearly arranged, you can determine the correct apron size for your patient and take the appropriate apron from the wall system without having to remove other aprons.

High-quality, aluminum construction in the colour Cool White (RAL 9016).

### Technical Data

<b>Net Weight / Load Capacity</b>	<b>1.3 kg / 5.0 kg (set of gonadal aprons)</b>
<b>Max. Capacity</b>	<b>4 gonadal aprons, different sizes</b>
<b>Dimensions</b>	<b>80 mm x 365 mm x 215 mm</b>
<b>Colour</b>	<b>Cool White (RAL 9016)</b>

**MAVIG GmbH**  
X-Ray Protection  
& System Solutions

Stahlgruberring 5  
81829 Munich  
Germany

PO Box 82 03 62  
81803 Munich  
Germany

Phone: +49 (0) 89 / 420 96 – 0  
Fax: +49 (0) 89 / 420 96 – 200  
e-Mail: [info@mavig.com](mailto:info@mavig.com)

[www.mavig.com](http://www.mavig.com)