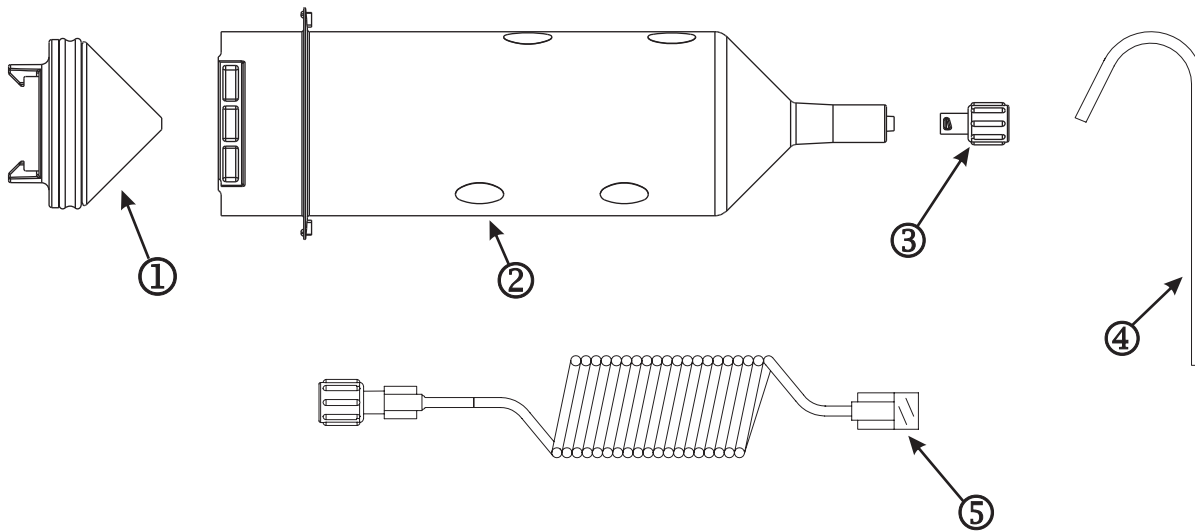


TECHNICAL DATA SHEET

Product Name: CT 200mL FLS Syringe Family

Catalog Numbers: CTP-200-FLS, 200-FLS, 200-FLS-Q

Injector Series: Envision CT Injector System, Vistron CT Injector System



Item	Component*	Material
1	Plunger Assembly	Polycarbonate/Synthetic Rubber or Polycarbonate/Synthetic Rubber/Polypropylene
2	Barrel	Polyethylene Terephthalate
3	Dust Cover	Polypropylene
4	Quick Fill Tube	Low density polyethylene
5	Low Pressure Connector Tube	PVC/Polycarbonate/Polypropylene

Shelf Life: 5 years

Primary Packaging: Polystyrene tray with Tyvek® lid

Secondary Packaging: Cardboard shipper box

Sterilization Method: Ethylene Oxide (EtO), Irradiation

Latex free

MEDRAD, INC. USA

100 Global View Drive
Warrendale, PA 15086
USA

Phone: (412) 767-2400
Fax: (412) 767-4120

MEDRAD Europe B.V.

Postbus 205
6190 AE Beek
The Netherlands

Phone: +31 (0) 43-3585600
Fax: +31 (0) 43-3656598



*Note: Components shown may change according to kit configuration