



Monitor Cart **MD71**



MD713: 3x1 from 19" to 24"



MD712: 2x1 from 19" to 24"



MD711: 1x1 from 19" to 24"

Monitor Cart MD71

The MD71 monitor cart has been developed as a mobile system for medical facilities, in which ceiling mounting of monitors is not possible. The MD71 provides practical positioning and easy adjustment of X-ray monitors at an ergonomic view.

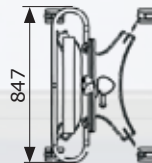
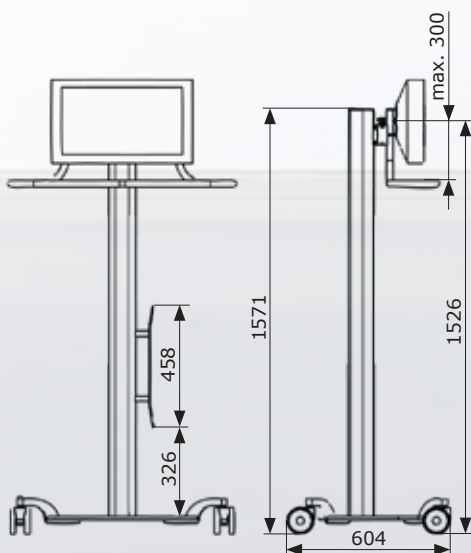
This means that the monitor trolley can always be positioned at the place where it is needed with the greatest possible flexibility and maximum safety.

The new sturdy, space saving base comes with a cable entry at the column base to reduce excess cable and prevent tripping.

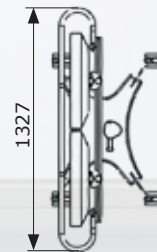
Product Features - MD71

- Various designs for up to 3 monitors
- Versatile mounting for 19" to 24" monitors of different combinations
- Moveable, tiltable and swivelable VESA adapters for 75 and 100 mm
- Maximum payload of up to 12.0 kg per VESA adapter
- Power and video cables can be routed inside the system
- An adjustable, practical handlebar for positioning and monitor protection
- 4 antistatic and smooth rolling casters, each with a parking brake
- Easy-to-clean system surface without any sharp edges or pointed corners

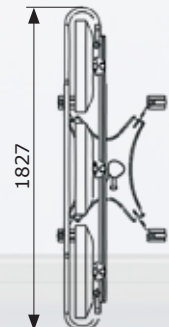
Technical Data - MD71



MD711



MD712



MD713

Capacity / Payload

for 1 monitor /
max. 12.0 kg

for 2 monitors /
max. 2 x 12.0 kg

for 3 monitors /
max. 3 x 12.0 kg

Monitor Width

max. 780 mm

max. 620 mm each

max. 580 mm each

Overall Dimensions
(H x W x T)

1571 x 847 x 604 mm

1571 x 1327 x 604 mm

1571 x 1827 x 604 mm

Weight

34.0 kg

37.0 kg

39.0 kg

Packaging
(H x W x T)

Box / 64.0 kg
436 x 800 x 1874 mm

Box / 64.0 kg
436 x 800 x 1874 mm

Box / 64.0 kg
436 x 800 x 1874 mm