

Mobile Shield WD302

MAVIG



WD302 Mobile shield for versatile applications with a transparent and height-adjustable lead acrylic panel

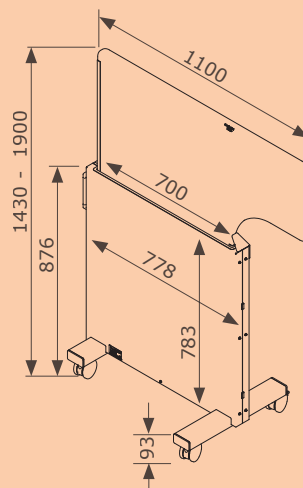
CE
Made in Germany

Radiation Protective Mobile Shield – WD302

Radiation Protection for Medical Professionals

The adjustable mobile shield with a special contour cut-out can be placed over the body of the patient, effectively reducing secondary radiation emanating from the patient's body.

- Mobile with smooth electroconductive rolling casters for easy maneuverability
- Appropriate for special applications in interventional radiology
- Height adjustable transparent upper panel: from 143 to 190 cm
- Upper transparent panel made of **lead acrylic with Pb 0.50 mm**
- **Lower body part** consists of a steel body with a protection of **Pb 1.00 mm**
- Steel body part lacquered in medico-white (RAL 9002)



MAVIG GmbH
X-Ray Protection & System Solutions

Stahlgruberring 5
81829 Munich
Germany

Ti-Ba Enterprises, Inc.
MAVIG Representation in USA and Canada

25 Hytec Circle
Rochester, NY 146060
USA

Phone: +1-585 247 1212
Fax: +1-585 247 1395
800 836 8422
e-Mail: mavig@ti-ba.com

www.mavig.com