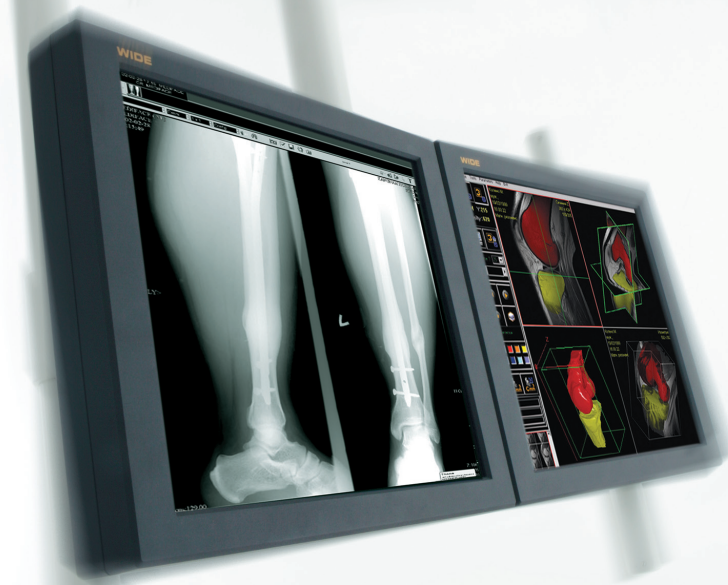


GD72/76

MAVIG



- **GD72 – Stationary mounted**
- **GD76 – MAVIG ceiling track, width 335 mm**
- **Max. weight load: 34.0 kg / 75.0 lbs**
- **Quantity of monitors: 1 - 3**
- **Internal cabling**



Series: **GD72** Stationary mounted monitor suspension system
GD76 MAVIG ceiling track installed monitor suspension system

60601-1, 2nd Ed.
Made in Germany

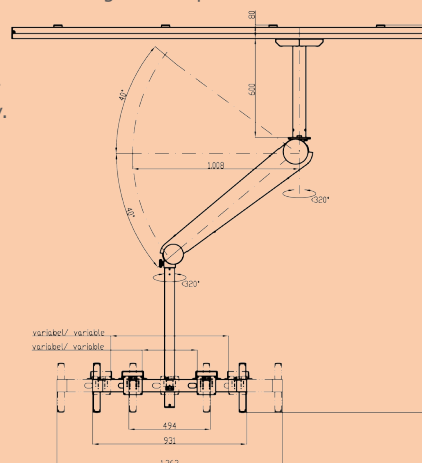
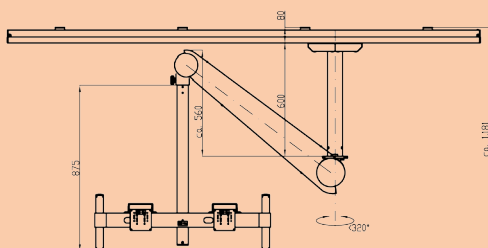
Internally Cabled Monitor Suspension System – GD72/76

For decades now, MAVIG has enjoyed being the first choice in monitor suspension systems. The stable, high-quality systems are perfectly designed for the daily needs of hospitals or radiology practices.

The GD72/76 supports a load of up to 34.0 kg (75.0 lbs) with a flexible spring arm and internal cabling, which is generally seen only in larger systems. Thanks to this, the GD72 is a great compact alternative when only one to three monitors are required.

With use of the spring arm, the monitors can be easily positioned. The patented MAVIG ceiling track systems (GD76) enable a larger positioning area, but are still easy to install and offer high security.

Standard length of ceiling column: 600 mm
Ceiling tracks lengths: 2500 mm or 4000 mm



MAVIG GmbH
X-Ray Protection
& System Solutions

Stahlgruberring 5
81829 Munich
Germany

PO Box 82 03 62
81803 Munich
Germany

Phone: +49 (0) 89 / 420 96-0
Fax: +49 (0) 89 / 420 96-200
e-Mail: info@mavig.com

www.mavig.com