



# GD50

**GD50 – The New Medium-Load Monitor Suspension System**

## GD50 Family of Medium-Load Monitor Suspension

For decades now, MAVIG has been the first choice for monitor suspension systems. These sturdy, high-quality systems are perfectly designed for the daily needs of hospitals and radiology practices.

They offer the maximum in terms of safety and high flexibility. Any brand of monitor can be easily installed and positioned – provided that the monitors have VESA adapter on their back.

Our life cycle testing ensures 100% quality of all MAVIG products.

**Warning:** Before each installation be sure to check that the ceiling has sufficient load-bearing capacity!

The installation work should only be carried out by specialized personnel.

With the increasing number of medical applications and room development, MAVIG has expanded its previous generation of medium-load monitor suspension systems into a versatile product that meets the continuously growing demands.

### Design Details of the GD50

- Free choice of stationary or ceiling track installation
- Ceiling tracks either 2500 or 4000 mm in length, for greater range and for hybrid operating theatres
- Column lengths of 140 up to 490 mm, suitable for rooms with many different ceiling heights
- Single spring arm option with 1010 mm length
- Alternative option of extension-spring arm combination (1010 mm + 1200 mm = total radius of 2210 mm)
- Maximum load capacity (*monitor weight*) of up to 45.0 kg or 57.0 kg
- 330° rotation on all joints and adjustable rotation stops in 60° steps on the monitor suspension (*spring arm – monitor holder*)
- Adjustable vertical movement from +40° through to -40° at 45.0 kg load capacity and +28° through to -40° at 57.0 kg load capacity
- Pre-installed power cabling for monitor and earth (grounding) and additional components grounding
- Sufficient space inside (□ approx. 28 x 31 mm) the system for internal cabling of customer-specific cable sets
- System cabling installed (e.g. DVI, CAT) on request
- Variety of monitor sizes (19 - 32") and quantities (1 - 4) (*other monitor sizes upon request*)

The logo for MAVIG, featuring the letters 'M', 'A', 'V', 'I', and 'G' in a bold, sans-serif font. The letter 'A' is highlighted in orange, while the other letters are in a dark grey color.

## Overview of Product Options and Guide to Item Codes

Components can be assembled in the manner of a modular system (A + B + C) and can be tailored to your individual requirements. For easy installation and smooth operation, please use this summary to decide which configuration of your GD50 monitor suspension system suits your needs best.

### Simple Product Configuration due to MAVIG Modular Structure

- Select the **substructure** for stationary systems (e.g. for firm ceilings or suspended ceilings / high ceilings)
- Choose from **stationary mounting** or **track system**
- Define the requested **movement range** of the system / monitor holder
- Specify the **quantity** and **dimensions** of the **monitors** to be supported (consider weight category / work load)

Item number guide for GD50 systems:



Indicator	Description	Details	Code
aa	Ceiling track	Length 2500 mm	25
	Ceiling track	Length 4000 mm	40
	Without ceiling track	-	00
xx	Ceiling column (for stationary mounting)	Length 140 mm	A1
	Ceiling column (for stationary mounting)	Length 190 mm	B1
	Ceiling column (for stationary mounting)	Length 240 mm	C1
	Ceiling column (for stationary mounting)	Length 290 mm	D1
	Ceiling column (for stationary mounting)	Length 390 mm	E1
	Ceiling column (for stationary mounting)	Length 490 mm	F1
	For track columns	-	Z0
b	Ceiling cover/Ceiling column cover (canopy)	Stationary mounting only	1
	Without ceiling cover/cover	Track version	0
yy	Column with carriage (for track mounting)	Length 140 mm	A1
	Column with carriage (for track mounting)	Length 190 mm	B1
	Column with carriage (for track mounting)	Length 240 mm	C1
	Column with carriage (for track mounting)	Length 290 mm	D1
	Column with carriage (for track mounting)	Length 390 mm	E1
	Column with carriage (for track mounting)	Length 490 mm	F1
	For stationary columns	-	Z0
cc	System* only with spring arm	For 30 - 45 kg	1A
	System* only with spring arm	For 45 - 57 kg	2A
	System* with extension and spring arm	For 30 - 45 kg	3A
	System* with extension and spring arm	For 45 - 57 kg	4A
z	Standard monitor holder	For 1 x 24 - 32"	A
	Standard monitor holder	For 2 x 24 - 32"	B
	Standard monitor holder	For 3 x 19 - 22"	C
	Standard monitor holder	For 4 x 19 - 22"	D
	Standard monitor holder	For 2 x 19 - 22"	E
dddd	Standard system in RAL9010 (Z1) basic cabling (Z1: power and earthing, 35 m)		Z1Z1

\* Ceiling track versions only available with single spring arm

#### Please Note

All the individual components of the GD50 system are explained in detail on the following pages.

MAVIG will be pleased to provide corresponding PDF or CAD data for room planning.

For support and advice on the various options, please contact us any time.

#### GD50 System Example



Article-No.: GD5000A11Z03ABZ1Z1  
GD50 with 140 mm long ceiling column, including ceiling cover (canopy), for 2 monitors on the extension/spring arm for 30 - 45 kg, as a standard system in RAL9010 with basic cabling

# GD50

# STATIONARY SYSTEM

## Ceiling Columns for Stationary Mounting with Extension and Spring Arm

- **Standard column lengths:** 140 mm (A1), 190 mm (B1), 240 mm (C1), 290 mm (D1), 390 mm (E1) and 490 mm (F1)  
*(additional lengths available on request as custom-made solution)*
- **Sturdy 110 mm diameter steel construction**
- **Includes matching two-piece ceiling cover (canopy) Ø 480 mm**

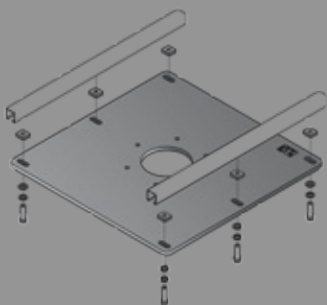


- **Suspension arm: combined extension and spring arm**  
the extension arm provides an additional 1200 mm range



## Mounting Plates & Substructures

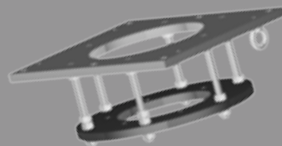
*(IMPORTANT: for stationary systems one of these mounting options has to be chosen!)*



### Item no.: HZP03

Mounting plate, suitable for HALFEN/Unistrut® systems, including fixing accessories for the GD50 ceiling column

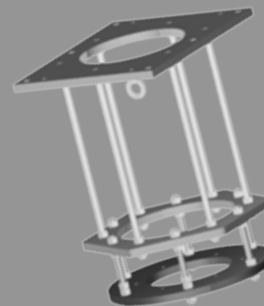
*(H x W x D: 20 x 740 x 740 mm)*



### Item no.: GD60D012

Short sub-construction, including mounting plate

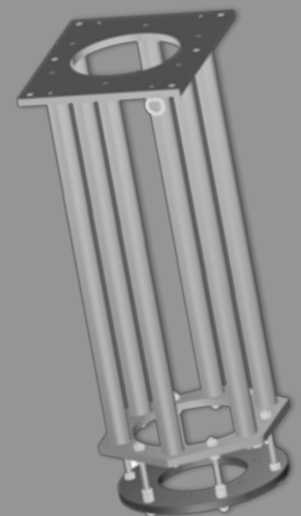
*(variable distance: up to 175 mm)*



### Item no.: GD60D022

Medium sub-construction, including mounting plate

*(variable distance: 175 - 610 mm)*



### Item no.: GD60D032

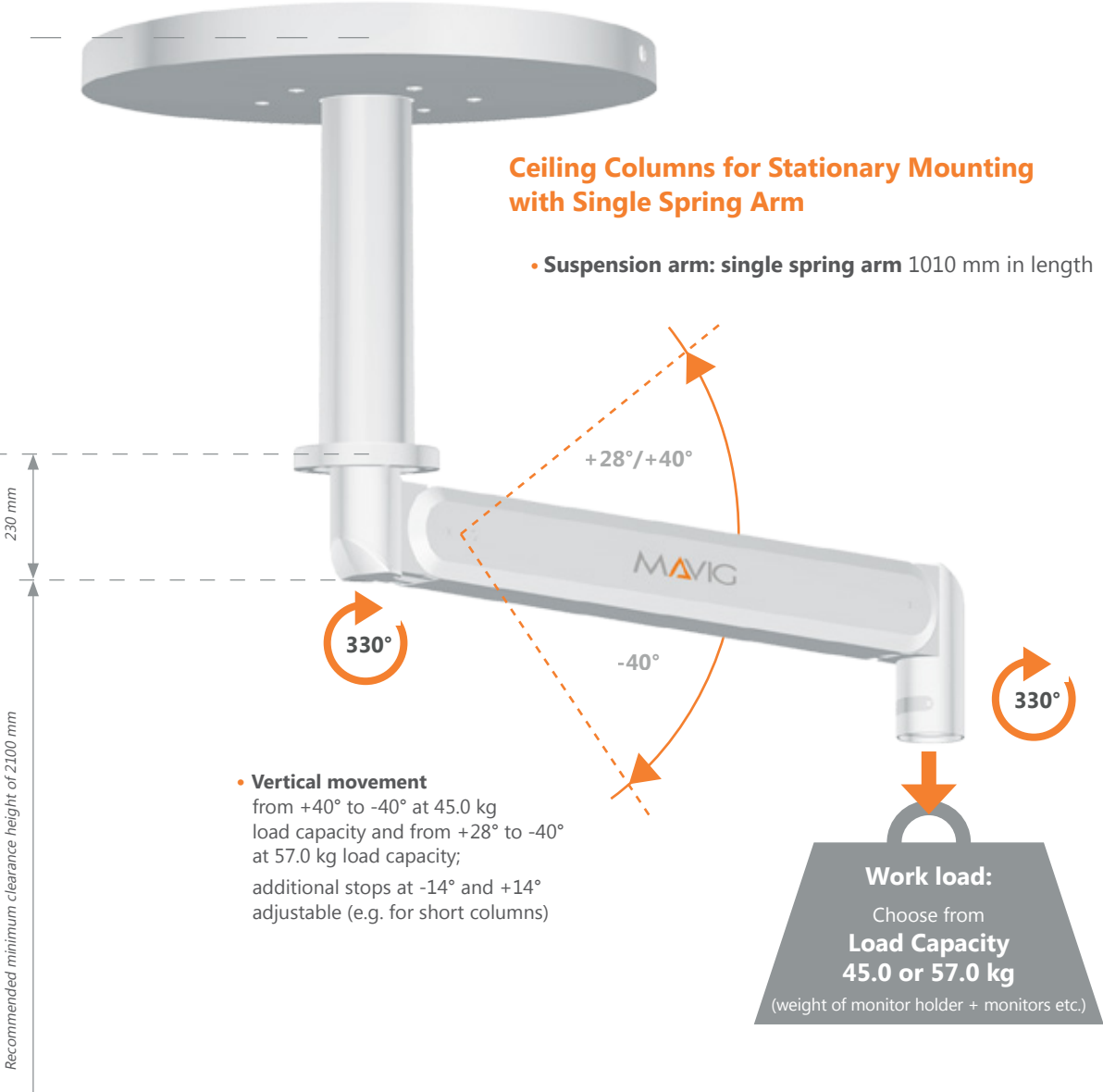
Long sub-construction, including mounting plate

*(variable distance: 610 - 1115 mm)*

**Ceiling Columns for Stationary Mounting with Single Spring Arm**

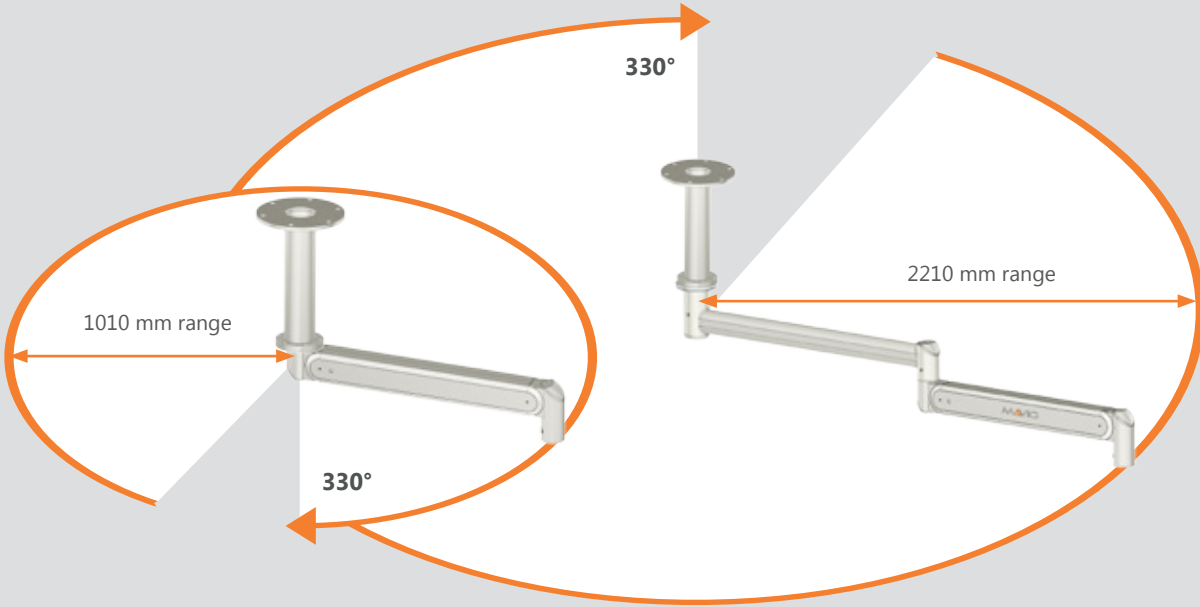
- Suspension arm: single spring arm 1010 mm in length

Recommended minimum clearance height of 2100 mm



- **Vertical movement**  
from +40° to -40° at 45.0 kg load capacity and from +28° to -40° at 57.0 kg load capacity;  
additional stops at -14° and +14° adjustable (e.g. for short columns)

**System Ranges for Single Spring Arm or Combination of Extension / Spring Arm**

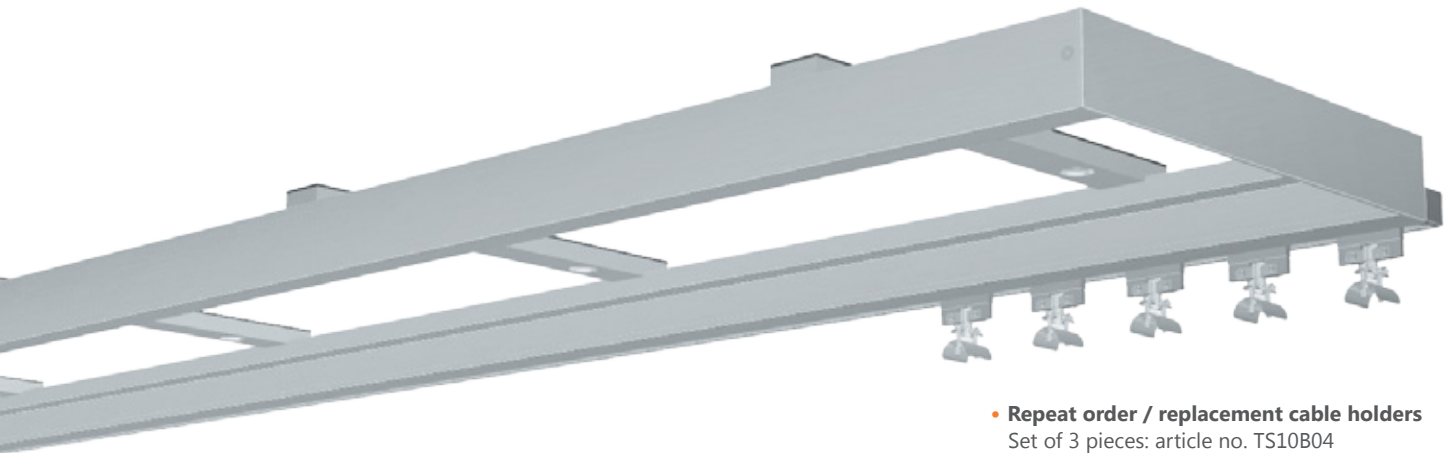


# GD50

## WITH CEILING TRACK

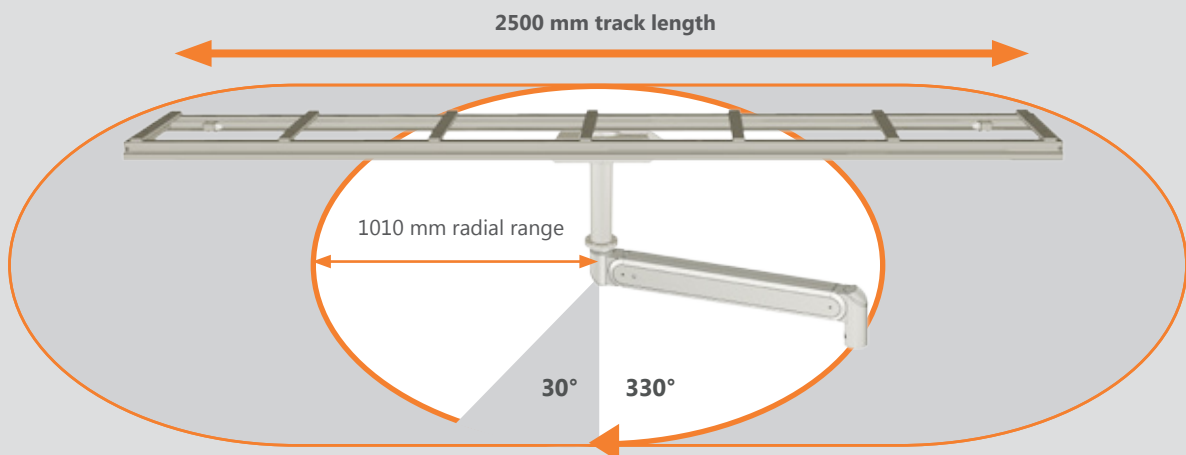
### MAVIG Ceiling Tracks for Columns with Carriage

- Track with on-ceiling insulation and additional earth connection
- Ceiling track length: 2500 mm or 4000 mm
- Ceiling track width: 510 mm (external dimensions)
- Individually adjustable cross struts: maximum distance 800 mm
- Compatible with HALFEN/Unistrut® ceiling systems
- Unique structure profile for the mounting of cable holders (5 cable holders included with each system)
- Cover plates for track ends included



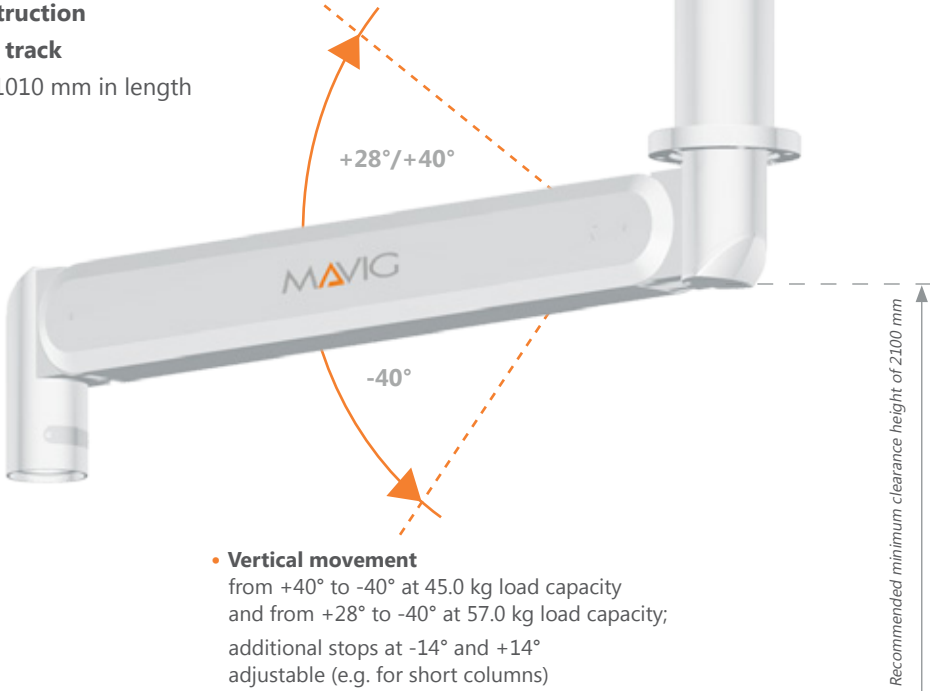
- Repeat order / replacement cable holders  
Set of 3 pieces: article no. TS10B04  
Set of 5 pieces: article no. TS10B04/5

### System Range for Single Spring Arm System on a 2500 mm Ceiling Track



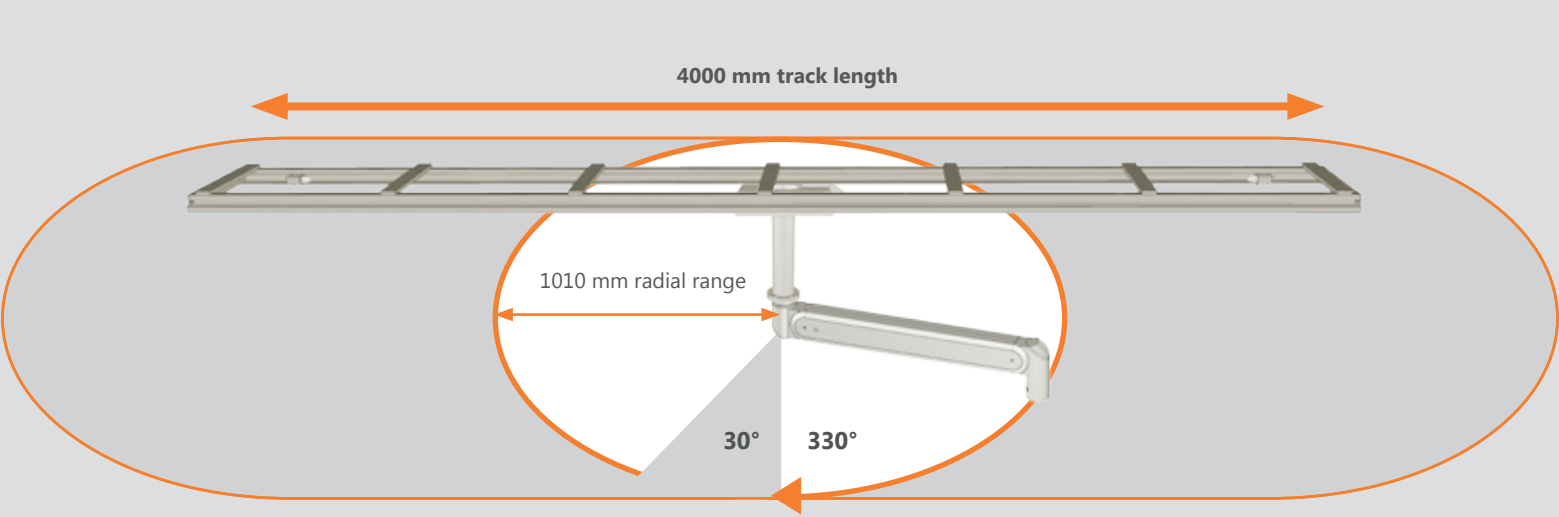
**Columns with Carriage for MAVIG Ceiling Tracks with a Single Spring Arm**

- **Carriage column lengths:** 140 mm (A1), 190 mm (B1), 240 mm (C1), 290 mm (D1), 390 mm (E1) and 490 mm (F1)  
*(additional lengths available on request as custom-made solution)*
- **Sturdy 110 mm diameter steel construction**
- **Including matching carriage for the track**
- **Suspension arm: single spring arm 1010 mm in length**



- **Vertical movement**  
from +40° to -40° at 45.0 kg load capacity  
and from +28° to -40° at 57.0 kg load capacity;  
additional stops at -14° and +14°  
adjustable (e.g. for short columns)

**System Range for Single Spring Arm System on a 4000 mm Ceiling Track**



# GD50 MONITOR HOLDER

The GD50 monitor holder series is designed to accommodate up to four monitors. There is a choice of three models, which can be equipped with monitors ranging in size of from 19" up to 32". Internal cabling is provided for the generously-sized MAVIG monitor holders. Adjustable handles and the linear routing of the VESA 100 adapters ensure a high level of flexibility for the size of the monitors and for their positioning.

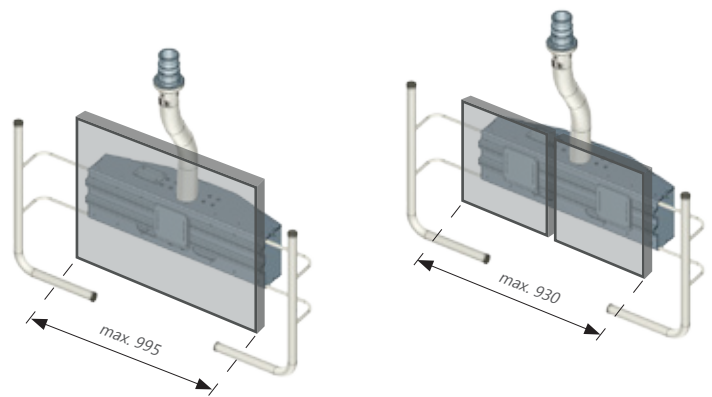
It goes without saying that all systems offer the same level of safety and reliability for which MAVIG has been known for decades.

## Wide Range of Monitor Holders Flexibly Adjustable

- **Various models:** for 1 - 4 monitors
- **Display sizes** possible up to 32" (additional monitor sizes upon request)
- **Max. work load:** up to 47.5 kg (depending on model / load capacity)
- **VESA 100 adapter** linear design for flexible horizontal positioning
- **Handles** adjustable: +/- 22 cm
- **Cable installation** internal (□ approx. 28 x 31 mm)
- **Paint colour** RAL9010

## Monitor Holder Model I

For one monitor from 24 - 32" or for two monitors from 19 - 22"



### Monitor Holder (Code)

Recommended monitor sizes

Monitor dimensions – widths  
– heights

Max. work load on monitor holders  
(in line with load capacity up to 45 kg or 57 kg)

Monitor holder net weight

VESA adapters – horizontally adjustable  
(additional VESA connections available on request)

### GD50 (A)

for 1 monitor

24 - 32"

600 - 995 mm  
550 mm

35.5 kg / 47.5 kg

9.5 kg

1 x VESA 100

### GD50 (E)

for 2 monitors

19 - 22"

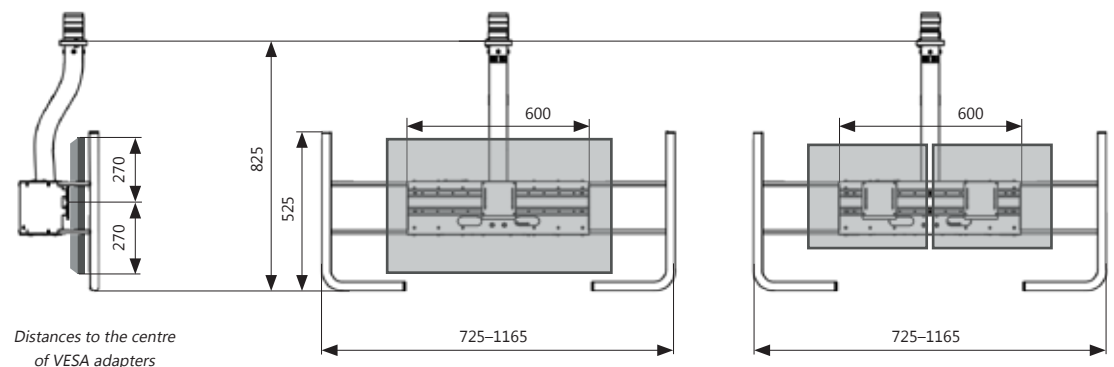
600 - 930 mm  
550 mm

34.5 kg / 46.5 kg

10.5 kg

2 x VESA 100

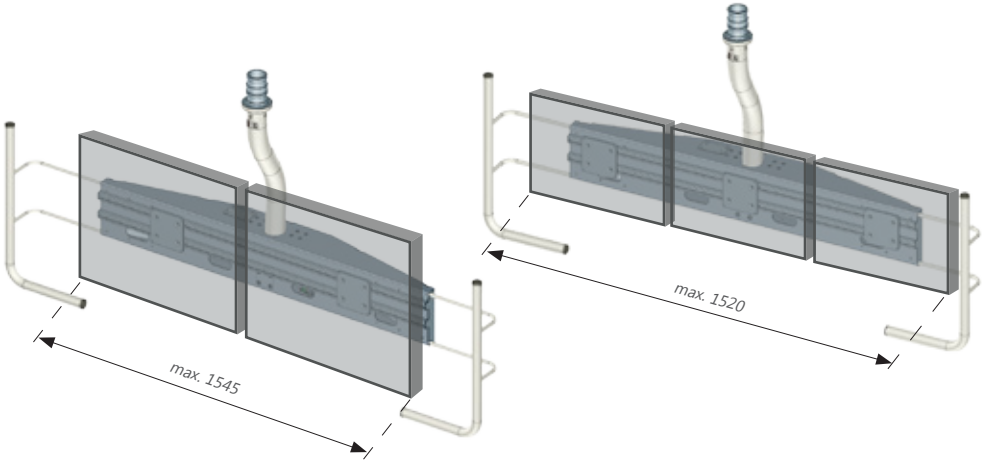
### Dimensions





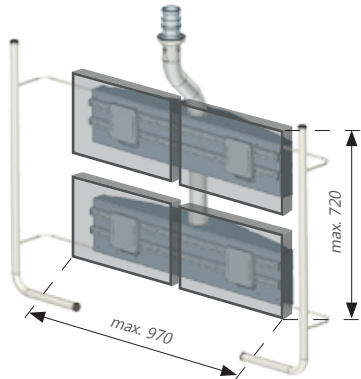
**Monitor Holder Model II**

For two monitors from 24 - 32" or for three monitors from 19 - 22"

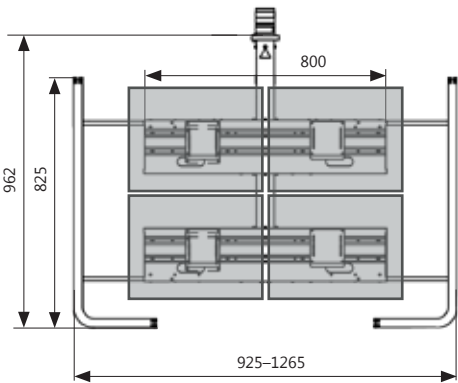
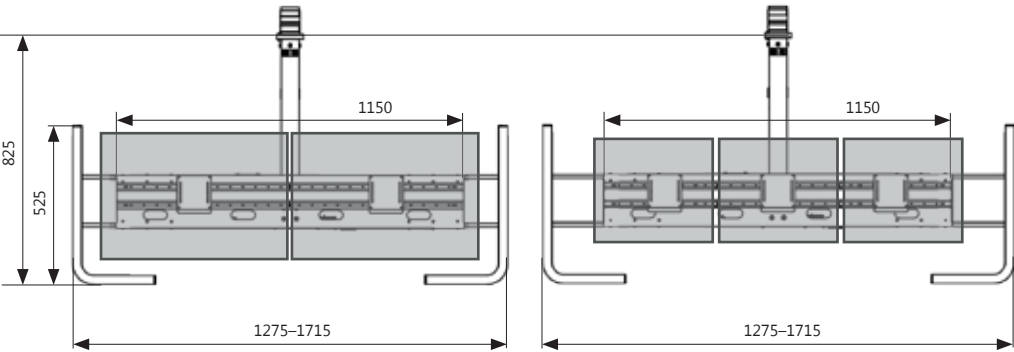


**Monitor Holder Model III**

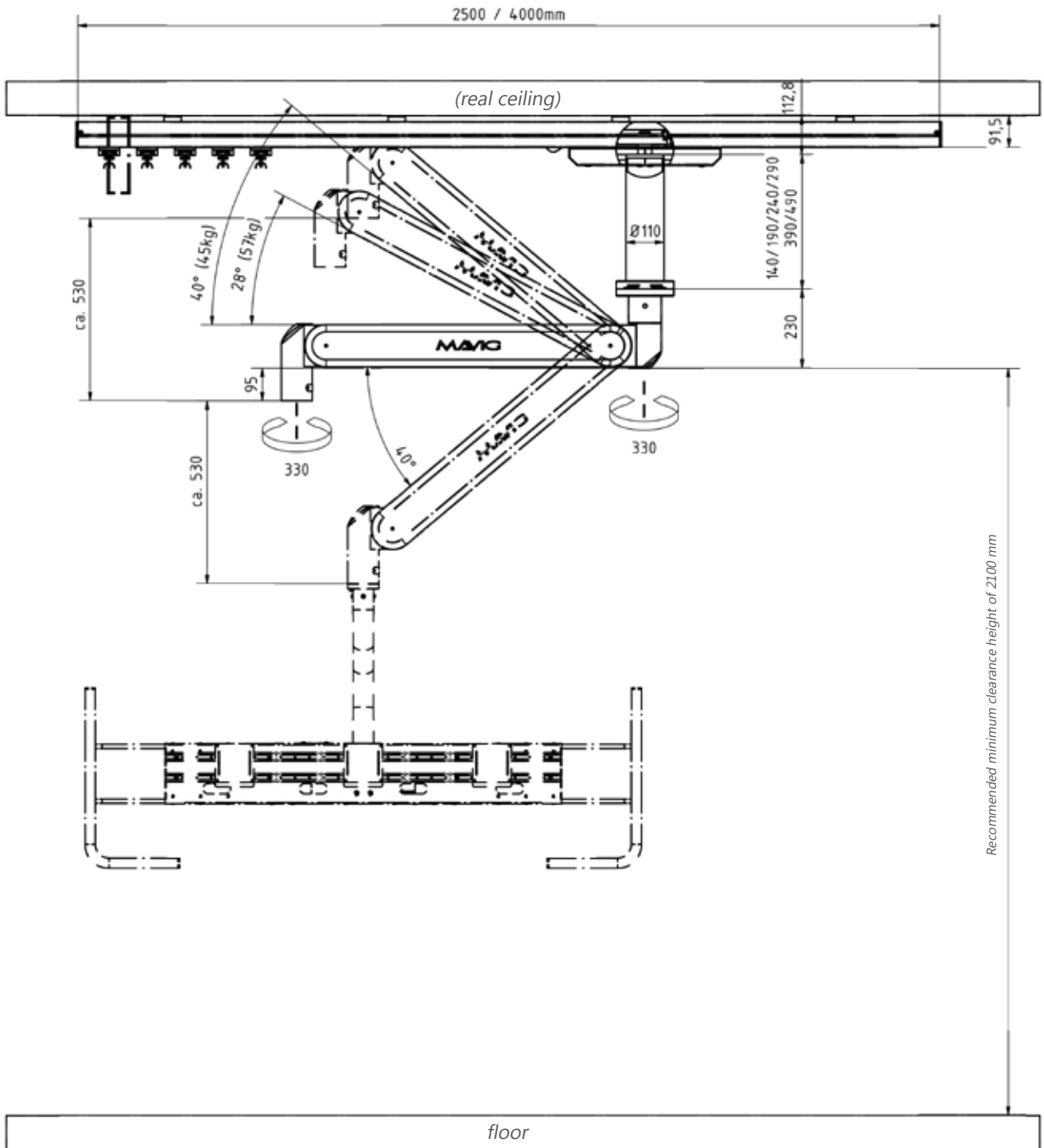
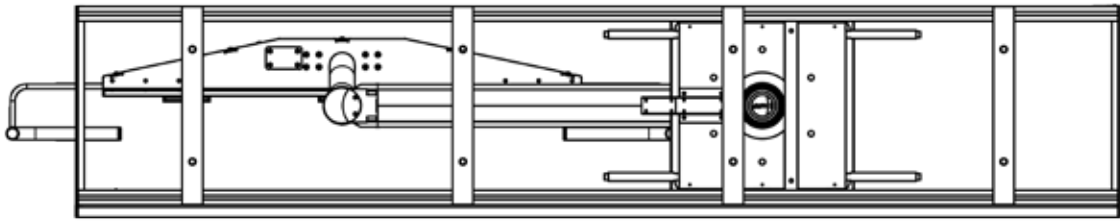
For four monitors from 19 - 22"



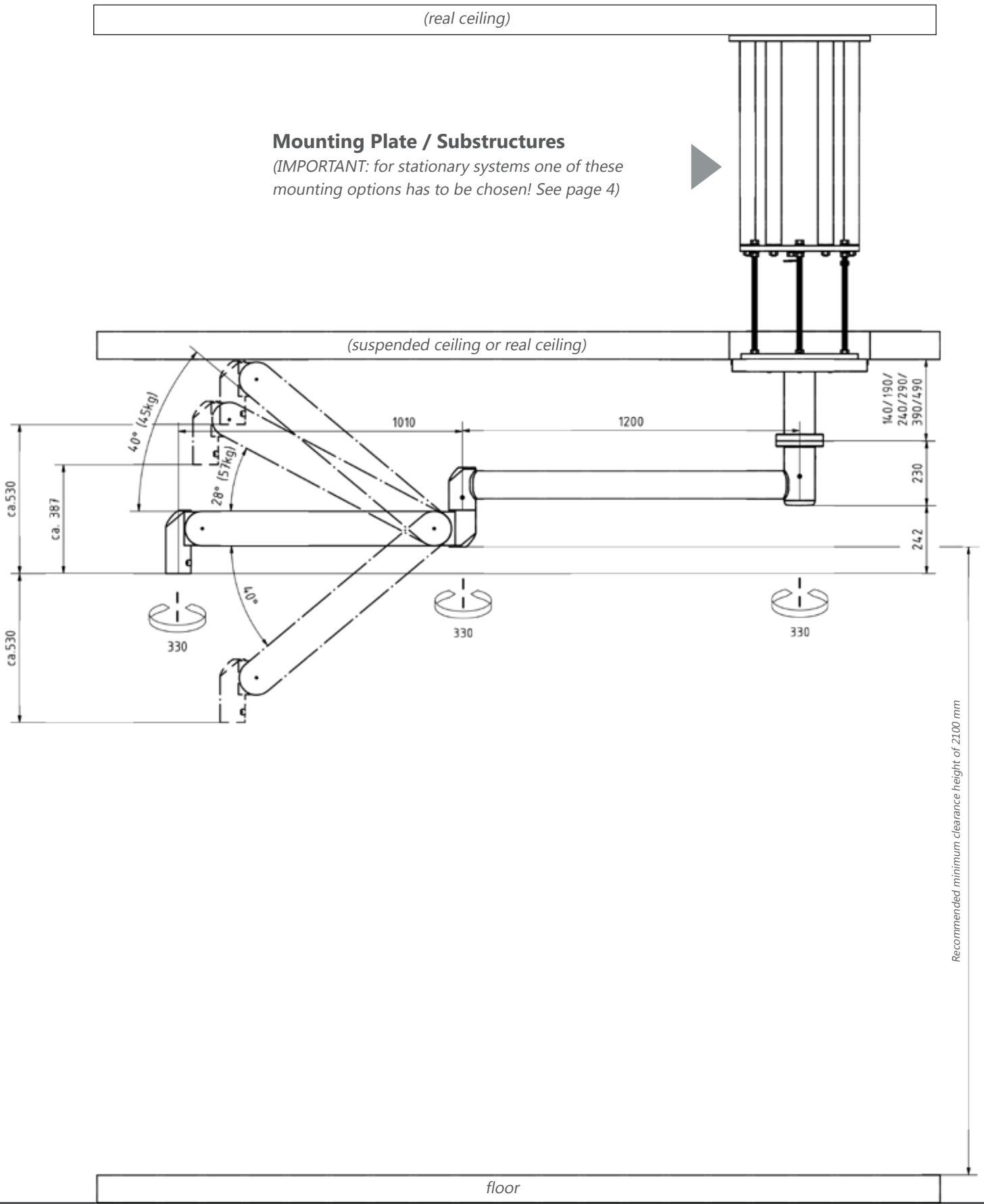
GD50 (B)	GD50 (C)	GD50 (D)
for 2 monitors	for 3 monitors	for 4 monitors
24 - 32"	19 - 22"	19 - 22"
1150 - 1545 mm 550 mm	1150 - 1520 mm 550 mm	810 - 970 mm 665 - 720 mm
33.2 kg / 45.2 kg	32.9 kg / 44.9 kg	30.5 kg / 42.5 kg
11.8 kg	12.1 kg	14.5 kg
2 x VESA 100	3 x VESA 100	4 x VESA 100



# GD50 DRAWINGS



System with single spring arm for 2500 or 4000 mm long ceiling tracks





**MAVIG GmbH**  
Headquarters

PO Box 82 03 62  
81803 Munich  
Germany

Stahlgruberring 5  
81829 Munich  
Germany

Phone +49 (0) 89 420 96 0  
Fax +49 (0) 89 420 96 200  
e-Mail info@mavig.com

**WORLDWIDE MAVIG OFFICES**

**Nordic & Baltic Countries**  
MAVIG Nordic

Stockholm  
Sweden

Phone +46 (0) 722 25 25 68  
e-Mail larsson@mavig.com

**Benelux, GB, Ireland**  
MAVIG B.V.

Mercuriusweg 86  
2516 AW Den Haag  
Netherlands

Phone +31 (0) 70 33 11 688  
Mobile +31 (0) 61 595 43 48  
e-Mail simmonds@mavig.nl

**France**  
MAVIG France SARL

66, Ave. des Champs Elysées  
F-75008 Paris  
France

Phone +33 (0)1 30 59 46 23  
Fax +33 (0)1 30 59 46 23  
e-Mail info@mavig.fr

**China**  
MAVIG Healthcare Beijing Co., Ltd.

Room #1010, Floor 9  
#609 Wang Jing Yuan  
Chaoyang District  
Beijing 100102, P.R.China

Phone +86 - 10 - 64 78 19 21  
Fax +86 - 10 - 64 78 19 21  
Mobile +86 - 13 70 122 85 86  
e-Mail zhang@mavig.com

**REPRESENTATION**

**USA & Canada**  
Ti-Ba Enterprises, Inc.

25 Hytec Circle  
Rochester, NY 14606  
USA

Phone +1 (585) 247 1212  
Fax +1 (585) 247 1395  
e-Mail mavigusteam@mavig.com

**Middle East & Northern Africa**  
Mena Medical Development

Ashrafieh – Adlieh Square – Alfaras St.  
- Alboustany Building, 5th floor  
Beirut  
Lebanon

Phone +961 14 23 499  
Fax +961 14 26 499  
e-Mail mavig@mena-md.com

**Russian Federation**  
AO Sante Medical Systems

Novodmitrovskaya 2, bld.1  
127015 Moscow  
Russia

Phone +7 499 551 55 73/75  
e-Mail info@sante.ru

**www.mavig.com**