

## Dual Syringe Kits

### MEDRAD® MRXperion Sterile Disposable MRI Kit



#### Overview

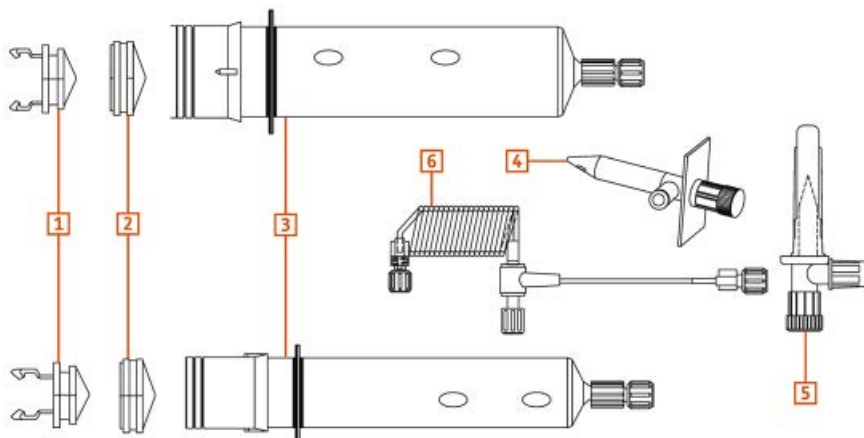
Catalogue number	XP 65/115VS
Globan number	86594226
Quantity	20/box
Shelf life	3 years

#### Packaging

Primary	Polystyrene tray with Tyvek® lid
Secondary	Cardboard shipper box
Assembled in	USA

#### Product information

PSI	350 PSI
Volume	65 mL: 7.736" 115 mL: 7.898"
Length	65 mL: 7.736" 115 mL: 7.898" Sunridge spike: 2.68 ± 0.04" Burron spike DP-1000: 2.00" LPDCT: 98 ± 1.5"
Diameter internal	65 mL: 1.055" 115 mL: 1.417" LPDCT: 0.075"
Diameter external	65 mL: 1.235" 115 mL: 1.567" LPDCT: 0.125"
Sterilization method	Ionizing radiation



#### Component

Component	Material
1 Plunger	Polycarbonate
2 Rubber Cover	Polyisoprene-polybutadiene blend
3 Syringe barrel	Polyethylene Terephthalate/Polycarbonate/Polypropylene
4 Spike	Acrylonitrile butadiene styrene/Low density polyethylene/Acrylic Copolymer/High density polyethylene
5 Spike	Acrylonitrile butadiene styrene/polypropylene/Low density polyethylene/High density polyethylene
6 Low Pressure Connector Tube (LPCT)	Polyvinyl chloride/Polycarbonate/Polypropylene/Silicone