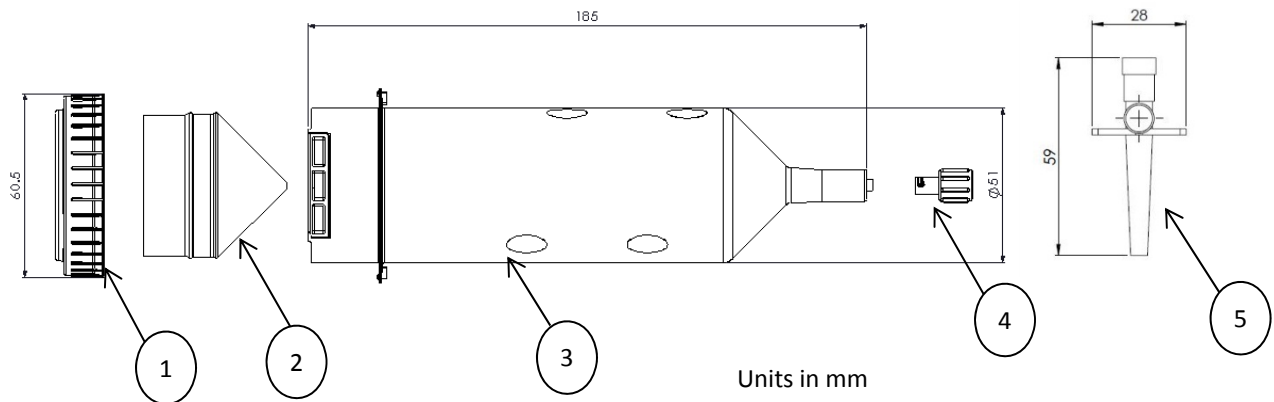


## TECHNICAL DATA SHEET

**Product Name:** Salient 190mL Syringe and Spike

**Catalogue Numbers:** ZY6323

**Injector Series:** Salient and Vistron Plus Contrast Injector



Item	Component	Material	Datasheet
1	End Cap (MDJP015)	Huntsman P5M4K-046 Polypropylene	<a href="#">Material Data</a>
2	Plunger (MDAS001)	Makrolon 2530-45118	<a href="#">Product Information</a> <a href="#">ISO Data Sheet</a>
	Rubber Seal (DJP002)	Santoprene TPV 181-55med	<a href="#">MSDS</a>
3	Syringe Barrel (MDJP024)	Eastman PET MN052	<a href="#">MSDS</a>
4	Dust Cap (MTJP015)	Huntsman P5M4K-046 Polypropylene	<a href="#">Material Data</a>
5	Fill Spike (3006307)	ABS	B   Braun purchased part
	Spike Luer Cap	PP P5M4K-046	
	Spike Guard	LDPE	
	Filter Cap	Pallflex/PP P5M4K-046/ABS	

Shelf Life: 5 years from date of sterilisation

Primary Packaging: Tyvek 1073B & 0.066mm PE/PA clear

Secondary Packaging: Cardboard shipper box (50 per)

Sterilization Method: Ethylene Oxide (EtO)

Latex Free

Phthalate Free

Maximum Permissible Working Pressure: <300psi

Imaxeon Pty Ltd  
 Unit 1, 38-46 South Street  
 Rydalmere 2116  
 NSW Australia  
 Ph: +612 8845 4999  
 PS140002-03